

Interior Linings



POWERSCAPE



Fiberock[®] Aqua-Tough

USG Fiberock[®] interior linings transform basic buildings, into desirable and durable indoor environments.

The only safe and easy-to-install interior lining system that resists: toxic mould, sound, impact, fire and water absorption or seepage into wall cavities.

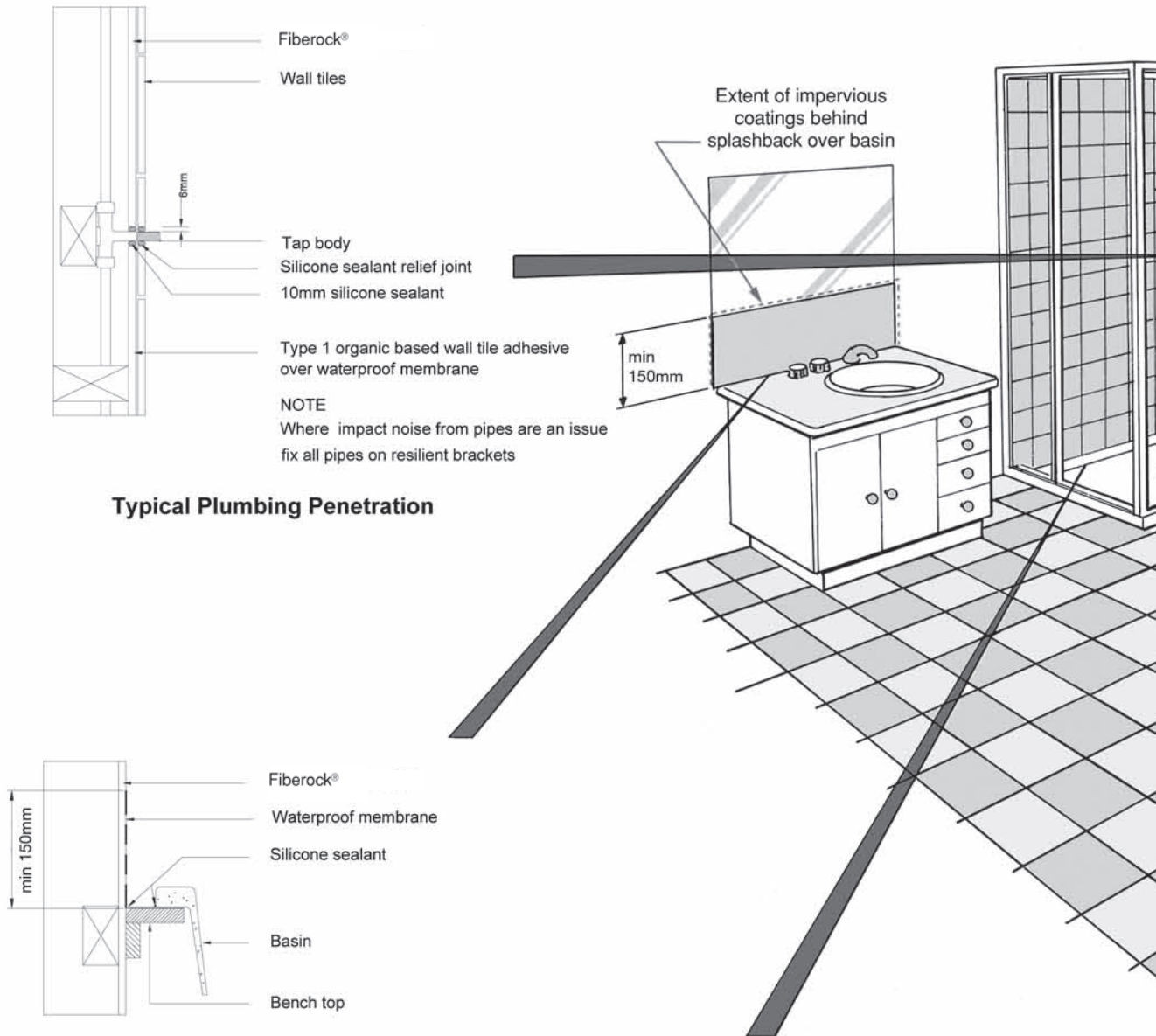


Wet Area Detail - Timber Framing



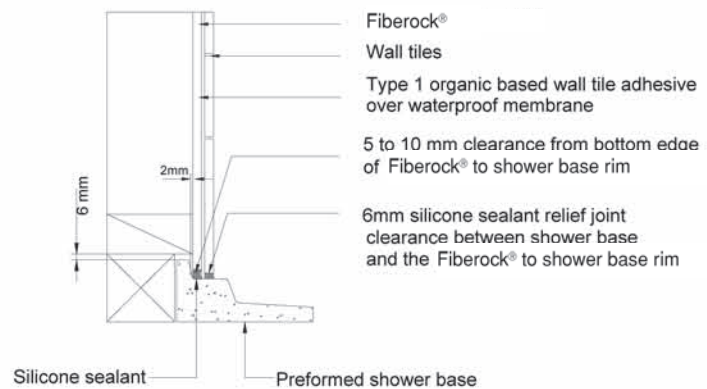
USG

Wet Area Detail - Timber Framing

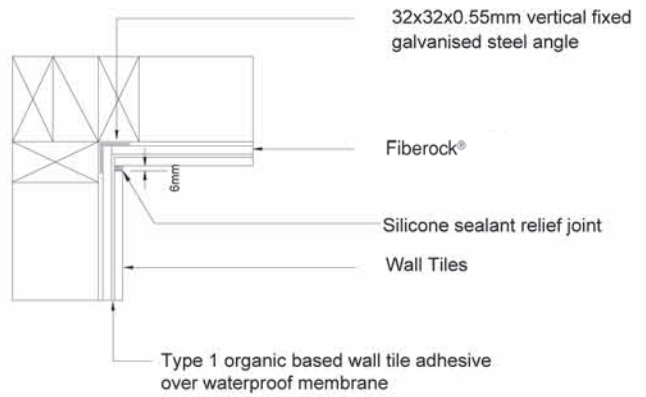
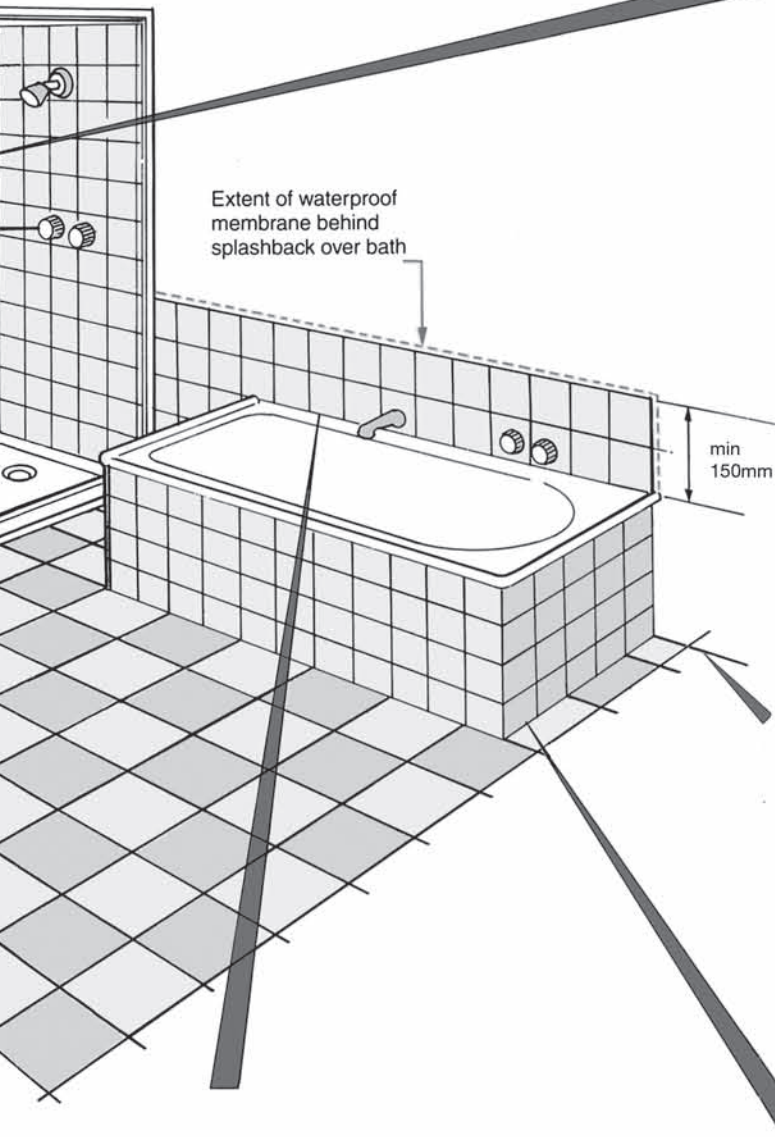


Typical Plumbing Penetration

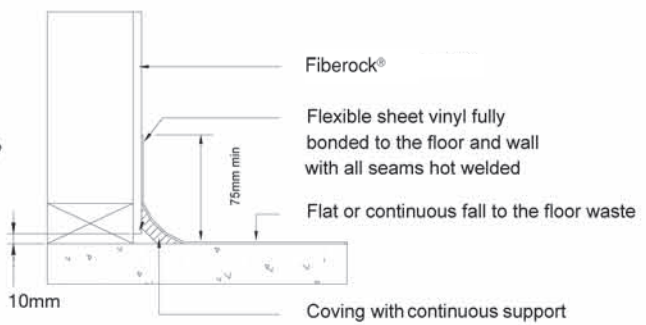
Tub, Sink and Basin



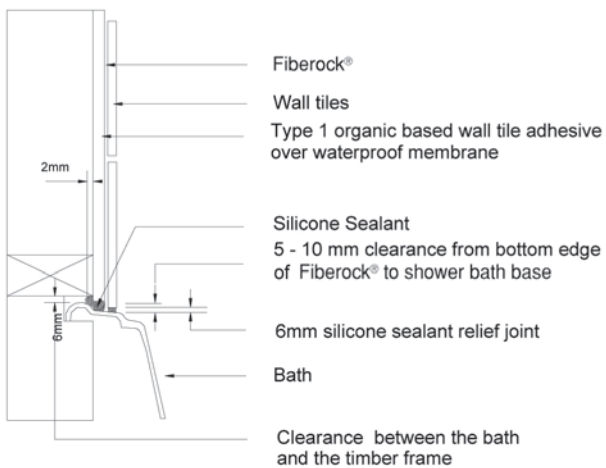
Shower Base Detail



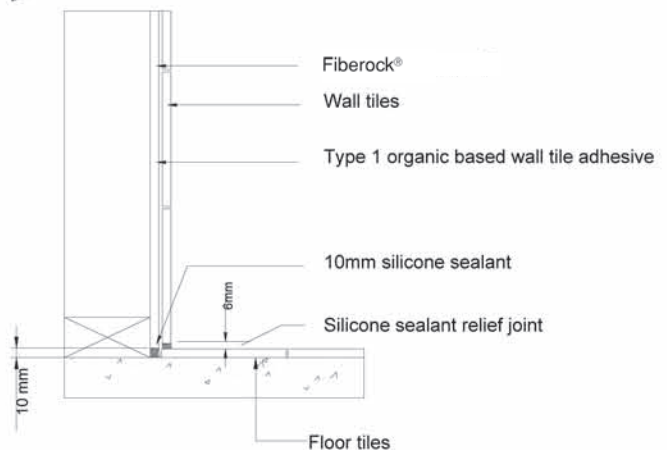
Tiled shower – Internal Corner Details



**Wall to Floor Junctions
Vinyl Floor Covering**



Bath Wall Junction Detail



**Wall to Floor Junctions
Ceramic Tile Covering**

IMAGES

TOP: Office building for the Commercial Bank of Australia (Green Star Rated), using USG Fibrock wall linings throughout.

MIDDLE: One of three Super Clinics / Hospitals in Victoria, with USG linings for all wall and ceilings throughout.

BOTTOM: Gold Coast Stadium with USG interior linings throughout



AUSTRALIA: USG Australasia

Phone: 1 800 226 215

Email: info@powerscape.com

www.powerscape.com.au

INDIA: USG India Private Ltd

Phone: +91 11 2215 7121

Fax: +91 11 2215 7122

Email: info@usgindia.com

vttripathi@usg.com

KOREA: USG Korea

Phone: +82 2 4777 762

Fax: +82 2 4777 967

Email: syoon@usg.com.my

MALAYSIA: USG Asia Pacific Holdings Pte Ltd

Phone: +60 3 5633 8980

Fax: +60 3 5634 4267

Email: pongch@usgapnn.po.my

SINGAPORE: Pacific Interiors Supply Pte Ltd

Phone: +65 6268 6180

Fax: + 65 6268 6192

Email: pisdan@singnet.com.sg

TAIWAN: USG Asia Pacific

Phone: +886 2 2790 9289

Fax: +886 2 8792 6586

E-mail: owen@usgtw.com

Distributor:

Subject to change without notice - check website for latest version. Copyright 2010.

Fibrock, Sheetrock, Easy Sand, Total Lite, Plus 3, Tuff-Hide are all trademarks owned by, or used with permission by USG.

Publication number: FR/9-10

